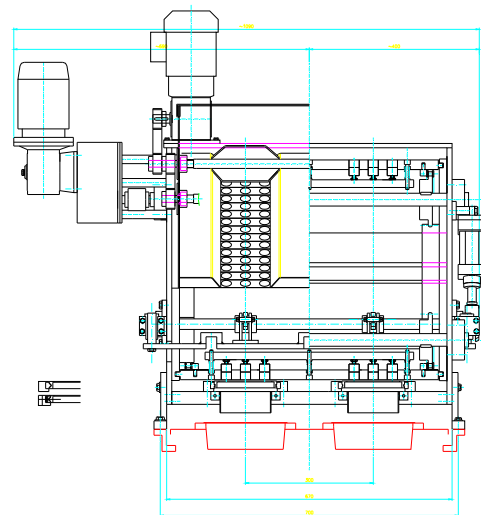
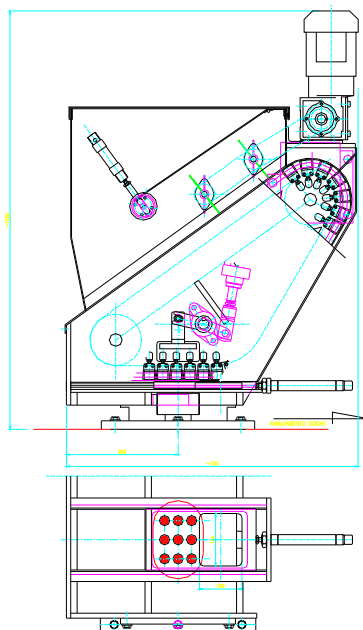


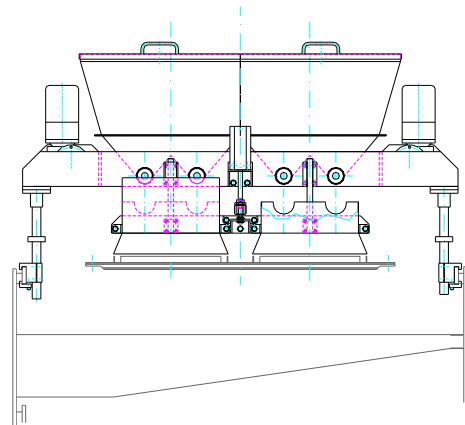
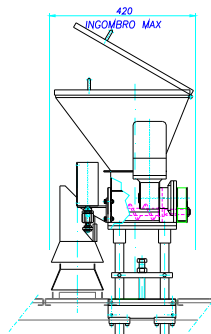
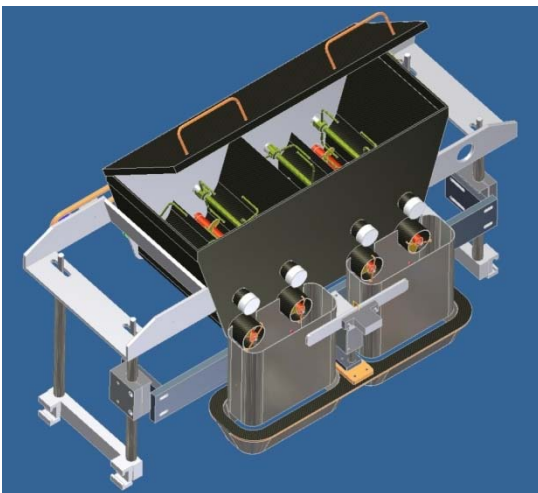
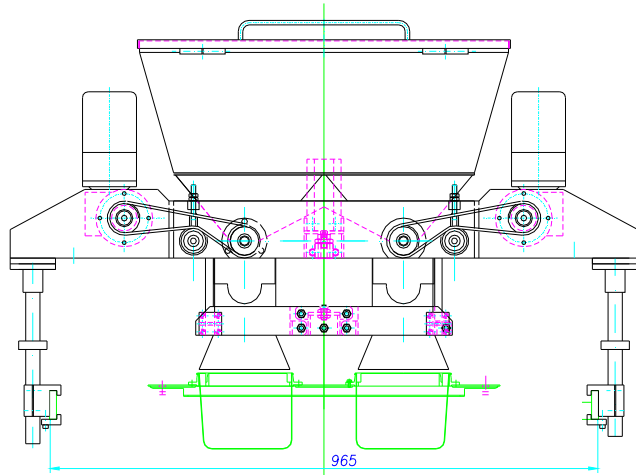
## **2. DOSING SYSTEMS & APPLICATIONS**

- **DISPENSER WITH SLATS** 2.2
- **DISPENSER WITH SCREWS** 2.3
- **BELT DISPENSER WITH CONVEYOR** 2.4
- **DISPENSER FOR POWDERS** 2.5
- **DRUM DISPENSER** 2.6
- **IMPULSE DISPENSER FOR DRY INCLUSIONS** 2.7
- **DOUBLE CONTAINER DISPENSER** 2.8

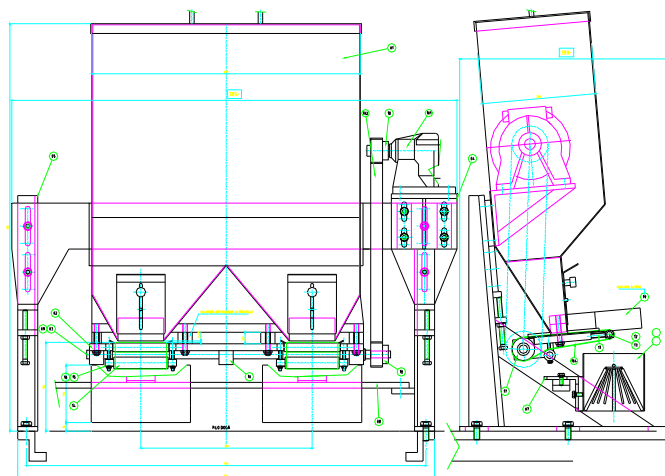
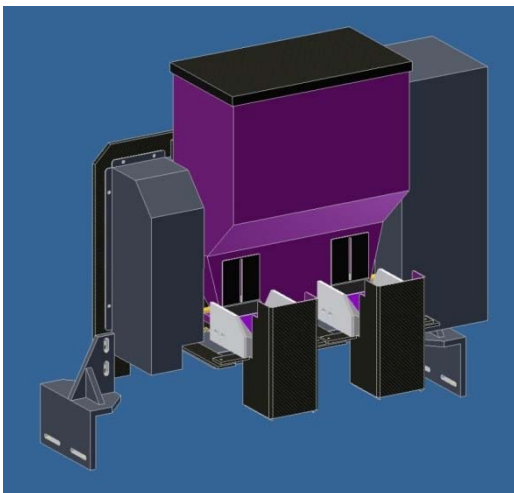
## DISPENSER WITH SLATS



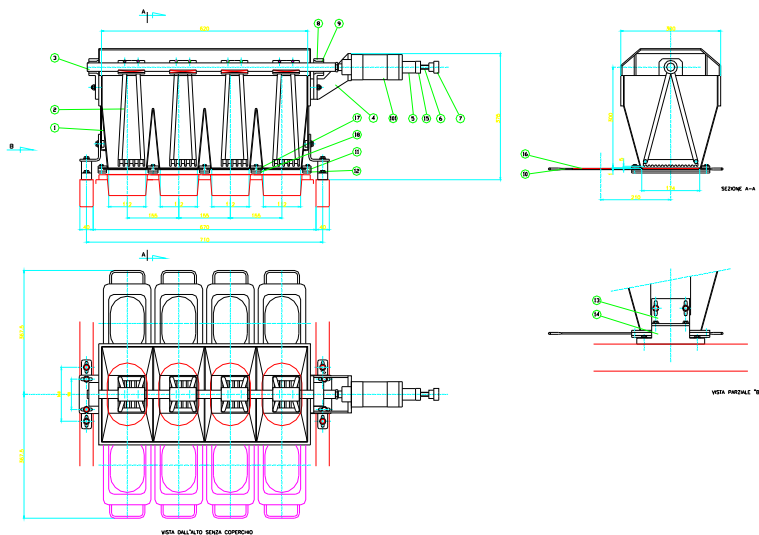
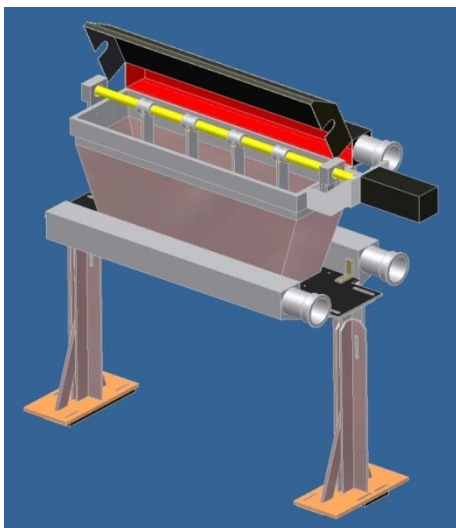
## DISPENSER WITH SCREWS



## DISPENSER WITH BELT CONVEYOR

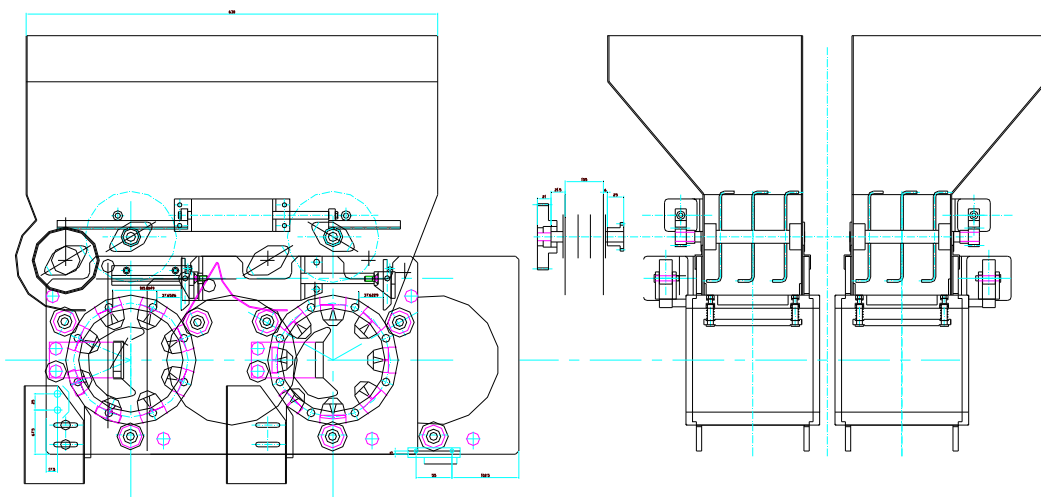
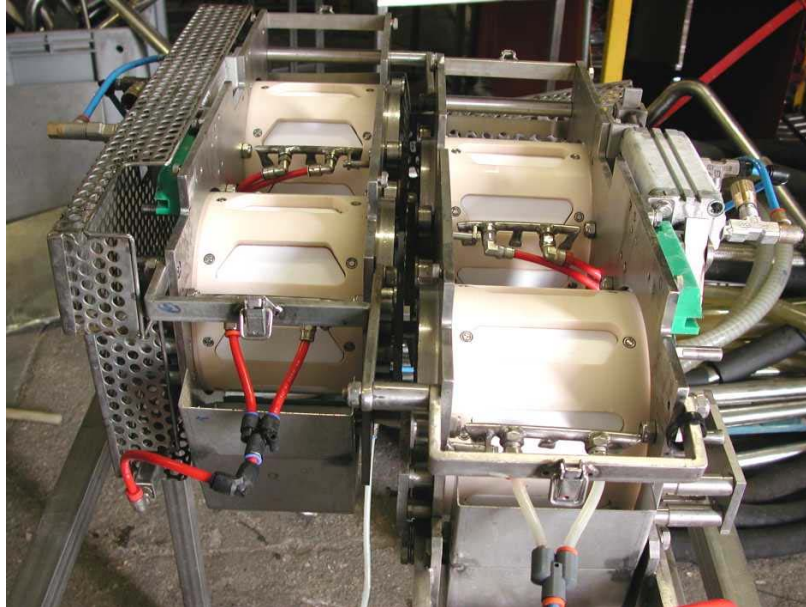


## DISPENSER FOR POWDERS

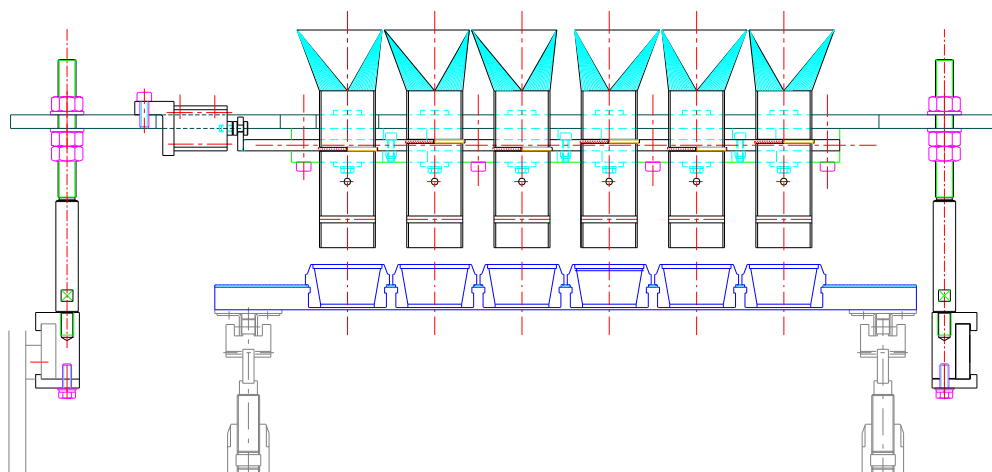




## DRUM DISPENSER



## IMPULSE RATE DISPENSER FOR DRY INCLUSIONS



## DOUBLE CONTAINER DISPENSER

